



# BYO PURE COFFEE

## HIGH VOLUME SUPER AUTOMATIC ESPRESSO MACHINE



*Shown with a fixed screen tablet*

### ESPRESSO MACHINE SPECIFICATIONS

The BYO uses an Android tablet as a fixed screen on the machine, or as an external device to interact remotely with the machine through Bluetooth technology. The BYO app adjusts to the screen dimension of your tablet and characteristics can be customized to provide operational solutions in a flexible format. Includes dual grinders made by Ditting™. The iSteam automatic steam wand froths milk to the perfect texture and temperature. The machine is made of stainless steel and ABS plastic and features an easy 3-step automatic daily cleaning program.

*BYO Pure Coffee with optional Powder Module*



### ESPRESSO MACHINE STANDARD FEATURES

- Super automatic with an app-controlled user interface
- Includes Samsung™ tablet and mounting bracket
- iSteam intelligent steam wand automatically froths and steams milk
- Centralized hot water
- Americano bypass enables machine to deliver authentic Americanos into a single cup
- Lowest cost of ownership of any fully automatic
- Premium espresso brewing
- Requires only 12" of counter space
- Stainless steel 18-gram patented brewing technology
- Dual grinders by Ditting™
- Made of stainless steel and ABS plastic
- Easy 3-step automatic daily cleaning program
- Simultaneous coffee and steam delivery
- 2-year parts warranty

### ESPRESSO MACHINE OPTIONS

**iSteam Plus:** Upgrade to iSteam Plus intelligent steam wand with extra power automatically froths and steams milk (up to 35% faster than standard iSteam)

**Self-adjusting Grinder:** Automatically adjusts the coffee grind size to compensate for environmental changes

**Automatic Spout:** Automatically adjusts the delivery spout to the correct cup size

**Under Counter Grounds Chute:** chute that diverts ground coffee to under the counter waste container; not available when an under the counter fridge is installed directly under the machine

**External Hot Water Outlet:** Hot water delivered through a separate outlet to the right of the drink spout

**Locks Package:** Locks for hopper, grounds drawer, and fridge

**Powder Module:** Enables machine to deliver up to two types of powder, for example, chocolate for mocha and hot chocolate

### ESPRESSO MACHINE STANDARD ACCESSORIES

- Plastic grounds bin container
- One month supply of daily cleaning products
- User manual
- Foot extensions

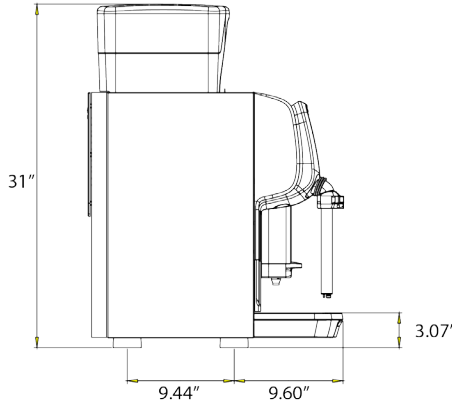
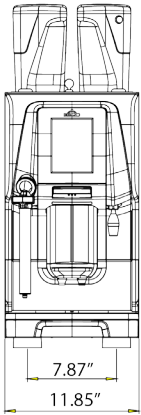
### ESPRESSO MACHINE DATA SPECIFICATIONS

- Weight: 126 lbs
- Power Supply: 208 - 220 V
- Power Rating: 6700 W



# BYO PURE COFFEE

## HIGH VOLUME SUPER AUTOMATIC ESPRESSO MACHINE



### SPACE REQUIREMENTS

Allow 1.5" of clearance on all sides of the machine.

Allow space to fill bean hoppers from the top 4" minimum 12" preferred.

Allow 24" x 5" of space for in-line filter. Filter can be mounted behind the machine or under the counter.

### SERVICE CONNECTIONS

#### ELECTRICAL CONNECTIONS:

*Espresso Machine*

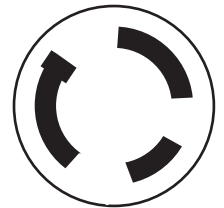
**Voltage Range:** 208 - 220 V

**Watts:** 6700

**Circuit Size:** 30 Amps

**Suggested Receptacle:** NEMA L6-30R

Suggested Receptacle for Espresso Machine



NEMA L6-30R

### TOTAL COUNTERTOP REQUIREMENTS

**Width:** 12" **Depth:** 23" **Height:** 31" **Weight:** 126 lbs

### SHIPPING DIMENSIONS AND WEIGHT

**Length:** 36" **Width:** 36" **Height:** 33" **Weight:** 155 lbs

PLEASE NOTE: Egro coffee machines do not use a neutral line. A dedicated ground wire is required.

Power can be installed under or above the counter. Please allow 3.5" - 4" of space for the plug, especially when placing power above the counter and behind the machine.

### WATER CONNECTION:

Dedicated cold water access line with standard female 3/8" NPT fitting and manual shut-off valve within 4' of the machine.

### DRAIN REQUIREMENTS:

Open gravity drain with minimum 2" I.D. within 4' of the machine.

### WATER QUALITY STATEMENT:

The fact that water is potable is no guarantee that it is suitable for espresso machines. Your water supply must be within these general guidelines:

**SUPPLY PRESSURE:** 30-70 psi

**HARDNESS:** 2-4 GPG\*

\*17.1 ppm = 1 grain of hardness

Water entering the espresso machine should have a water hardness level of 2-3 GPG at all times. If the water supply is not within this range, a dedicated water softener is required for the espresso machine to operate correctly over time.

### iSTEAM AUTOMATIC STEAM WAND SPECIFICATIONS

The completely automatic intelligent patented iSteam wand froths milk to the perfect texture and temperature. The comprehensive software offers a full range of frothing levels ensuring your unique taste profile is achieved.

#### iSTEAM AUTOMATIC STEAM WAND

